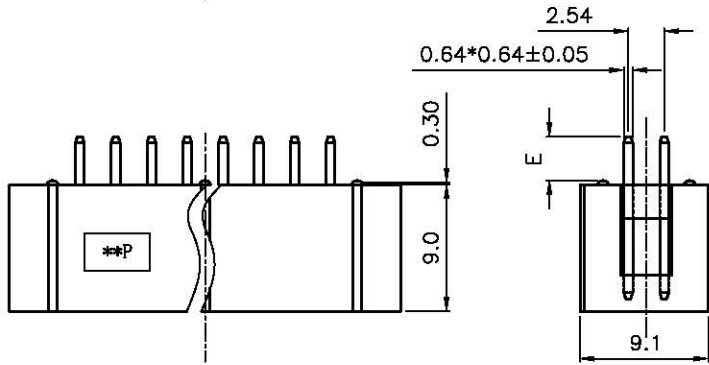
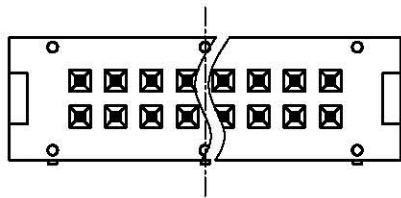
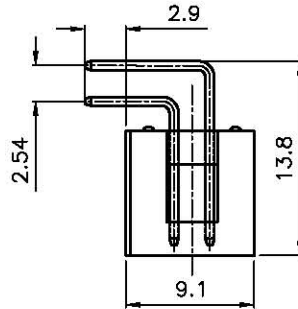


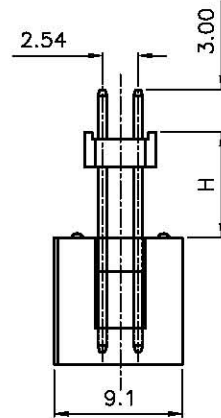
REV.	DESCRIPTION	DRAWN	CHECKED	APPROVED
A	NEW RELEASE	LJH 09/20/05'	~	LJC 09/20/05'
B	料号中增加尺寸DIM. H, E选项	YCH 07/18/08'	~	



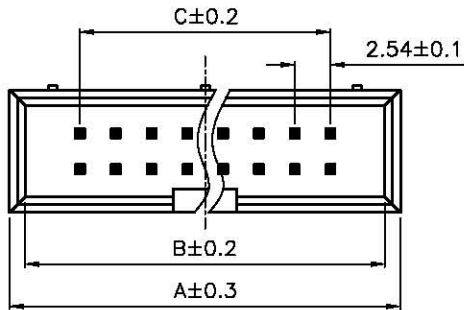
V/T TYPE



R/A TYPE



Elevator TYPE



Dimension

Position	A	B	C	30	45.70	43.50	35.56
10	20.30	18.10	10.16	30	45.70	43.50	35.56
12	22.84	20.64	12.70	34	50.78	48.58	40.64
14	25.38	23.18	15.24	40	58.40	56.20	48.26
16	27.92	25.72	17.78	50	71.10	68.90	60.96
20	33.00	30.80	22.86	60	83.80	81.60	73.66
26	40.62	38.42	30.48	64	88.88	86.68	78.74

NOTES:

1. ELECTRICAL CHARACTERISTICS:

- 1.1 CONTACT RESISTANCE: 20mΩ Max. INITIAL.
- 1.2 DIELECTRIC WITHSTANDING VOLTAGE: 500V AC(rms) FOR 1 MINUTE.
- 1.3 INSULATION RESISTANCE: 1000MΩ Min.

2. ENVIRONMENT CHARACTERISTICS:

TEMPERATURE RANGE: -45°C~+105°C.

3. PART NUMBER: DS1013

4. PRODUCT NUMBER CODE:

DS1013- X X X X X X

DIM. H TYPE (FOR ELEVATOR ONLY)

1: 7.50

2: 9.50

DIM. E TYPE (FOR V/T ONLY)

1: 3.10

2: 8.00

HOUSING COLOR

B: BLACK

W: WHITE

U: BLUE

A: GRAY

CONTACT PLATING

Si: FULL GOLD FLASH

MOUNTING TYPE

S: V/T TYPE

R: R/A TYPE

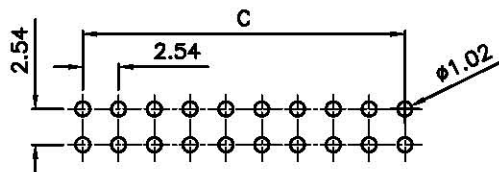
E: Elevator TYPE

No.OF CONTACTS

08 10 14 16

20 26 30 34

40 50 60 64



RECOMMEND PCB LAYOUT(TOLERANCE=±0.05)

GENERAL TOLERANCE		ANGLE TOLERANCE	
X.	±0.60	X.	±5'
.X	±0.38	.X	±3'
.XX	±0.25	.XX	±2'

DRAWING TYPE	CUSTOMER		
SCALE	1:1	SHEET	1 OF 1
DRAWING NO.	C-DS1013-XXXX-B		

PROJECTION		TITLE	BOX HEADER PITCH 2.54mm
UNITS	mm	SERIES	DS1013 SERIES

广东中南电子电器有限公司

zn-cn.com