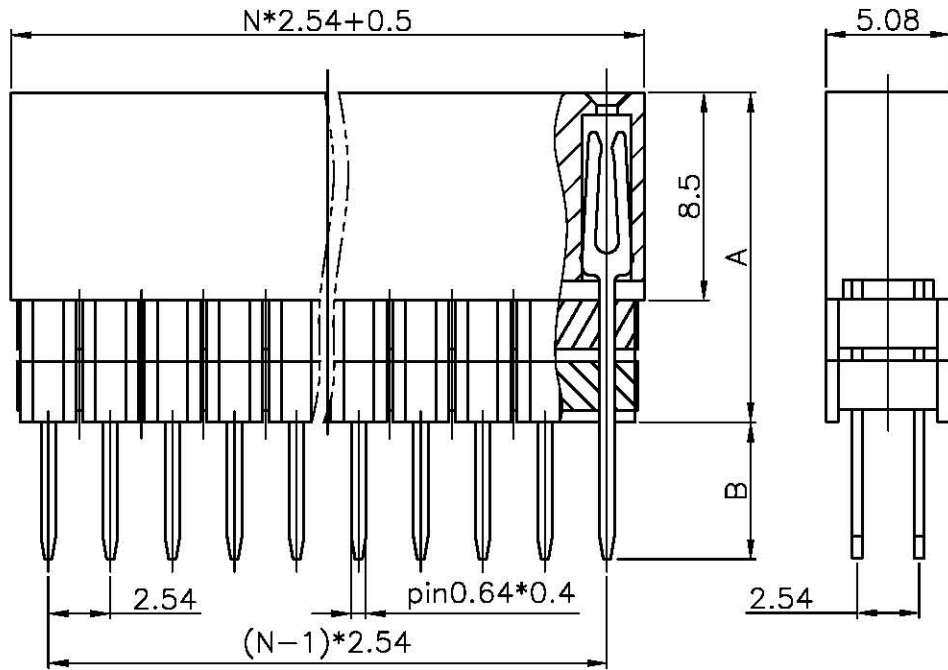


REV.	DESCRIPTION	DRAWN	CHECKED	APPROVED
A	NEW RELEASE	YCH 03/07/07'		

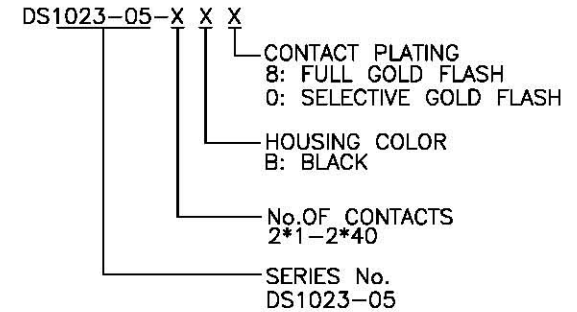
$N = \frac{1}{2}$ NUMBER OF CONTACTS



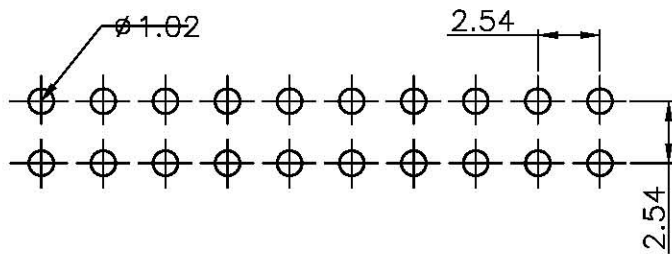
NOTES:

- ELECTRICAL CHARACTERISTICS:
 - CONTACT RESISTANCE: 50mΩ Max.
 - DIELECTRIC WITHSTANDING VOLTAGE: 500V AC(rms) FOR 1 MINUTE.
 - INSULATION RESISTANCE: 1000MΩ Min.
- ENVIRONMENT CHARACTERISTICS:
 - OPERATING TEMPERATURE: 0°C~+85°C.
 - STORAGE TEMPERATURE: -20°C~+70°C.
 - RESISTANCE TO SOLDERING HEAT: 260±5°C, 5±0.5s.

3. PRODUCT NUMBER CODE:



TYPE	Dimension	
	A	B
1	13.50	6.50
2	11.05	2.50
3		
4		
5		
6		
7		
8		
9		
10		
11		
12		
13		
14		
15		
16		
17		
18		
19		
20		
21		



RECOMMEND PCB LAYOUT (TOLERANCE ±0.05)

GENERAL TOLERANCE		ANGLE TOLERANCE		PROJECTION	TITLE
X.	±0.60	X.	±5'		FEMALE HEADER PITCH
.X	±0.38	.X	±3'	mm	2.54mm V/T STACK TYPE
.XX	±0.25	.XX	±2'	A4	SERIES DS1023-05 SERIES
DRAWING TYPE		CUSTOMER			
SCALE	1:1	SHEET	1 OF 1		
DRAWING NO.	C-DS1023-05-XXXXX				