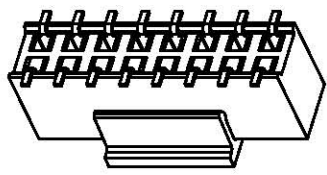
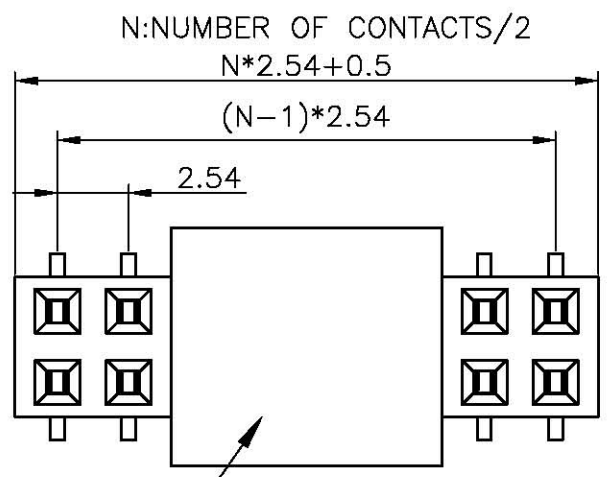


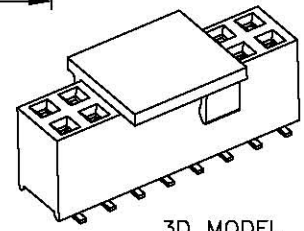
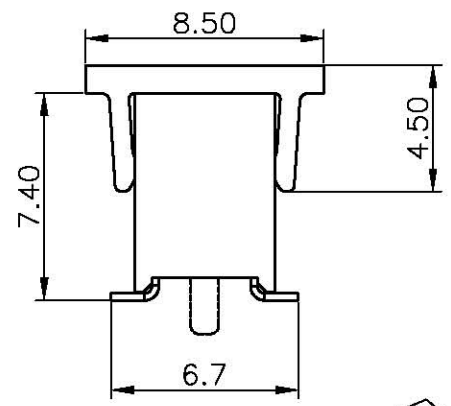
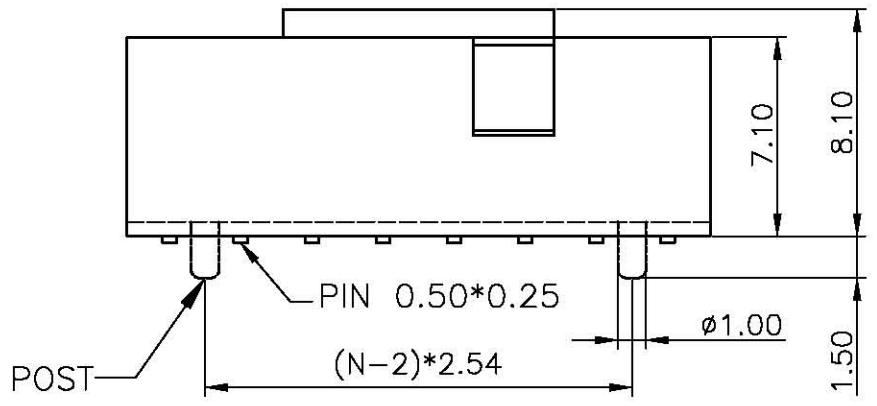
REV.	DESCRIPTION	DRAWN	CHECKED	APPROVED
A	NEW RELEASE	YCH 01/24/08'		

NOTES:

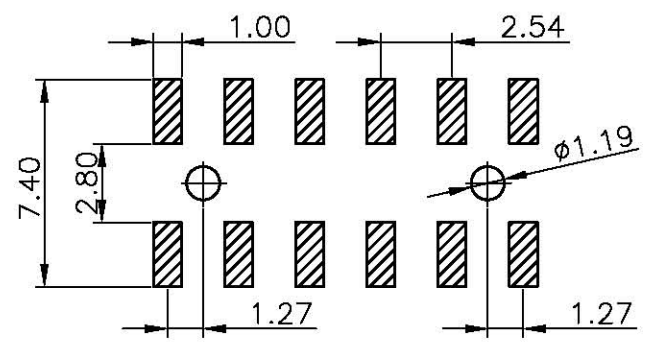
- MATERIAL
  - INSULATOR MATERIAL:THERMOPLASTIC(UL 94V-0).
  - CONTACT MATERIAL:COPPER ALLOY.
- SPECIFICATION
  - TEMPERATUER: -45°C~+110°C.
  - DIELECTRIC WITHSTANDING VOLTAGE:AC 500V AC.
  - INSULATION RESISTANCE:1000MΩ min.
  - CONTACT RESISTANCE:20mΩ max.
  - CURRENT RATING:3A.
- PART NUMBER: DS1023-11
- PRODUCT NUMBER CODE:  
DS1023-11 - X X X X X X
  - POST SUPPORT  
S:W/ POST  
X:W/O POST
  - PACKING TYPE  
T:TRAY  
R:TAPE ON REEL  
B:TUBE
  - PICK UP SUPPORT  
S: W/  
X: W/O
  - CONTACT PLATING  
B: FULL GLOD FLASH  
O: SELECTIVE GLOD FLASH
  - HOUSING COLOR  
B: BLACK
  - No.of Contacts  
2\*2 - 2\*40



3D MODEL  
Scale 1:2



3D MODEL  
Scale 1:2



RECOMMEND PCB LAYOUT  
(TOLERANCE=±0.05)

GENERAL TOLERANCE		ANGLE TOLERANCE		PROJECTION	TITLE	FEMALE HEADER PITCH	
X.	±0.60	X.	±5°		mm	2.54mm SMT TYPE H=7.1mm	
.X	±0.38	.X	±3°			SHEET SIZE	A4
.XX	±0.25	.XX	±2°			SERIES	DS1023-11 SERIES
DRAWING TYPE		CUSTOMER					
SCALE		1:1	SHEET	1 OF 1			
DRAWING NO.		C-DS1023-11-XXXX					