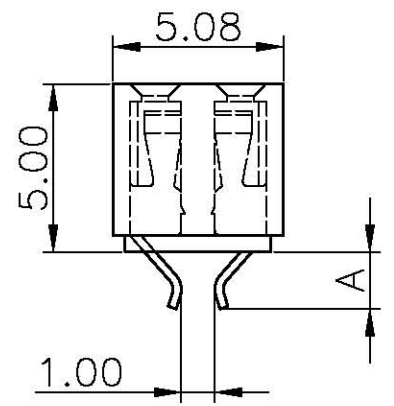


REV.	DESCRIPTION	DRAWN	CHECKED	APPROVED
A	NEW RELEASE	ych 01/24/08'		

- NOTES:
- MATERIAL
 - INSULATOR MATERIAL:THERMOPLASTIC(UL 94V-0).
 - CONTACT MATERIAL:COPPER ALLOY.
 - SPECIFICATION
 - TEMPERATURE:-45° to +110°C.
 - DIELECTRIC WITHSTANDING VOLTAGE:AC 500V AC.
 - INSULATION RESISTANCE:1000MΩ min.
 - CONTACT RESISTANCE:20mΩ max.
 - CURRENT RATING:3A.
 - PART NUMBER: DS1023-14
 - PRODUCT NUMBER CODE:
DS1023-14 - X X X X



- DIM A TYPE
 - 1: 1.70 mm
 - 2: 1.00 mm
- CONTACT PLATING
 - 8: Full glod flash
 - 0: Selective gold flash
- MOUNTING TYPE
 - B: Clip Board type
- No.of Contacts
 - 1*1 - 1*40

GENERAL TOLERANCE		ANGLE TOLERANCE		PROJECTION		TITLE	FEMALE HEADER PITCH 2.54mm
X.	±0.60	X.	±5°	UNITS	mm	STRADDLE TYPE	
.X	±0.38	.X	±3°	SHEET SIZE	A4	SERIES	DS1023-14 SERIES
.XX	±0.25	.XX	±2°	DRAWING NO. C-DS1023-14-XXXX			
DRAWING TYPE		CUSTOMER					
SCALE	1:1	SHEET	1 OF 1				