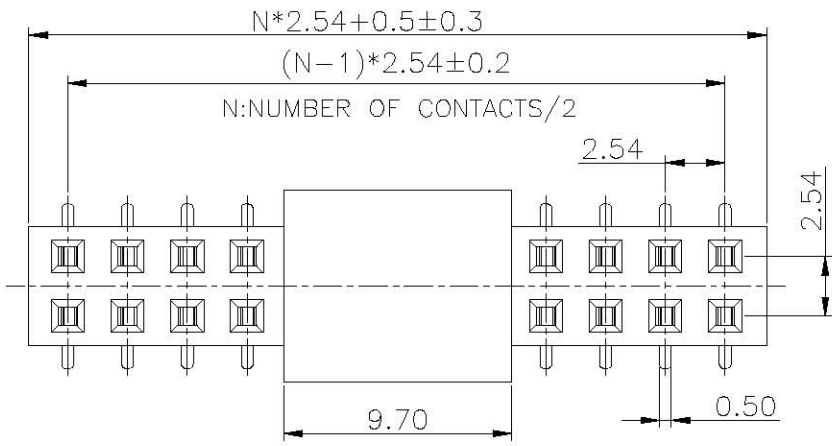
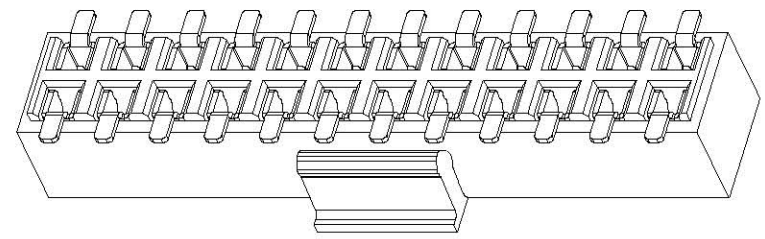
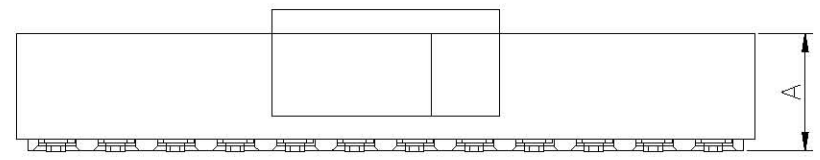
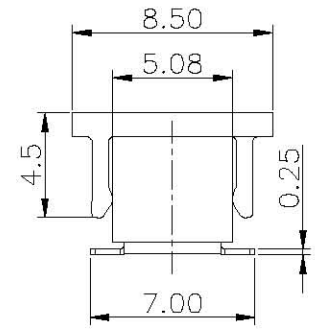


REV.	DESCRIPTION	DRAWN	CHECKED	APPROVED
A	NEW RELEASE	YCH 11/20/07'	~	



- NOTES:
- MATERIAL
 - INSULATOR MATERIAL:THERMOPLASTIC(UL 94V-0).
 - CONTACT MATERIAL:COPPER ALLOY.
 - SPECIFICATION
 - TEMPERATURE:-45° to +110°C.
 - DIELECTRIC WITHSTANDING VOLTAGE:AC 500V AC.
 - INSULATION RESISTANCE:1000MΩ min.
 - CONTACT RESISTANCE:20mΩ max.
 - CURRENT RATING:3A.
 - PRODUCT NUMBER CODE:
DS1023-15 - X X X X X X X

- PROFILE HEIGHT(DIM A)
1: 8.5mm
2: 5.0mm
- POST SUPPORT
S:W/ POST
X:W/O POST
- PACKING TYPE
T:TRAY
R:TAPE ON REEL
B:TUBE
- PICK UP SUPPORT
S:W/ PICK UP
X:W/O PICK UP
- CONTACT PLATING
8: FULL GOLD FLASH
0: Selective gold flash
- HOUSING COLOR
B:BLACK
- No.OF CONTACTS
2*2-2*40



DIM.	A
TYPE 1	8.50
TYPE 2	5.00

GENERAL TOLERANCE		ANGLE TOLERANCE		PROJECTION		TITLE	FEMALE HEADER PITCH
X.	±0.60	X.	±5°	UNITS	mm	2.54mm SMT TYPE H=8.5/5.0mm	
.X	±0.38	.X	±3°	SHEET SIZE	A4	SERIES	DS1023-15 SERIES
.XX	±0.25	.XX	±2°				
DRAWING TYPE		CUSTOMER					
SCALE		1:1	SHEET	1 OF 1			
DRAWING NO.		C-DS1023-15-XXXXXXX					