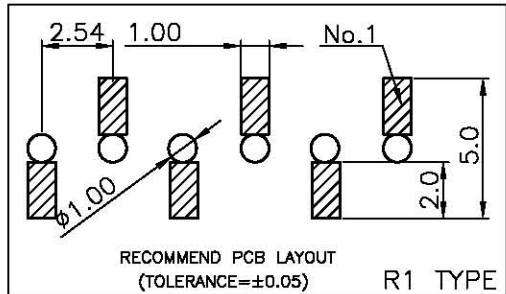
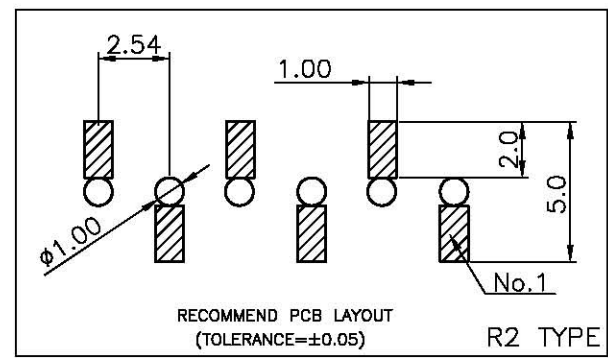
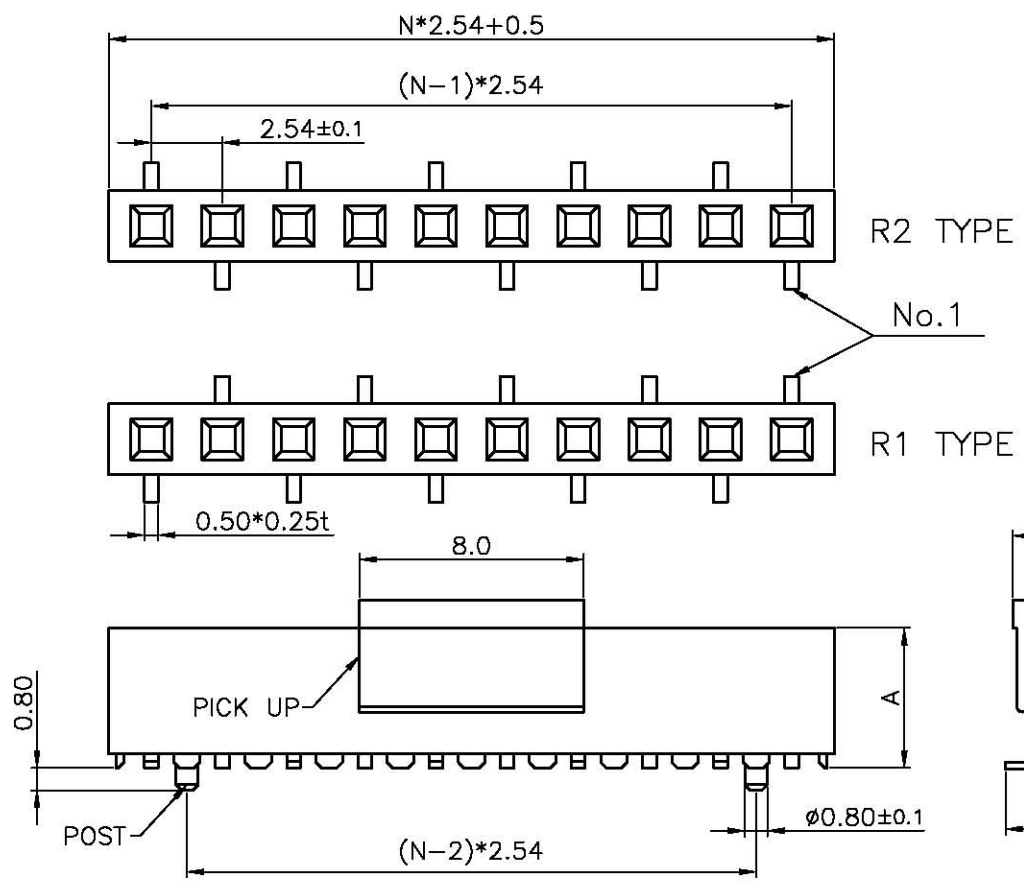


REV.	DESCRIPTION	DRAWN	CHECKED	APPROVED
A	NEW RELEASE	YCH 01/24/08'		

NOTES:

- MATERIAL
 - INSULATOR MATERIAL:THERMOPLASTIC(UL 94V-0).
 - CONTACT MATERIAL:COPPER ALLOY.
- SPECIFICATION
 - TEMPERATURE:-45° to +110°C.
 - DIELECTRIC WITHSTANDING VOLTAGE:AC 500V AC.
 - INSULATION RESISTANCE:1000MΩ min.
 - CURRENT RATING:3A.
- PART NUMBER: DS1023-16
- PRODUCT NUMBER CODE:
 DS1023-16 - X X X X X X X X
 DIM. A TYPE
 1:8.5mm
 2:5.0mm
 POST SUPPORT
 S:W/ POST
 X:W/O POST
 PACKING TYPE
 T:TRAY
 R:TAPE ON REEL
 B:TUBE
 PICK UP SUPPORT
 S:W/ PICK UP
 X:W/O PICK UP
 BEND TYPE
 1: R1 TYPE
 2: R2 TYPE
 CONTACT PLATING
 8: FULL GOLD FLASH
 HOUSING COLOR
 B:BLACK
 No.OF CONTACTS
 1*2-1*40



GENERAL TOLERANCE		ANGLE TOLERANCE		PROJECTION		TITLE	FEMALE HEADER PITCH
X.	±0.60	X.	±5°	UNITS	mm	2.54mm SMT TYPE H=8.5/5.0mm	
.X	±0.38	.X	±3°	SHEET SIZE	A4	SERIES	DS1023-16 SERIES
.XX	±0.25	.XX	±2°	DRAWING TYPE CUSTOMER			
SCALE		1:1	SHEET		1 OF 1		
DRAWING NO.		C-DS1023-16-XXXXXXX					