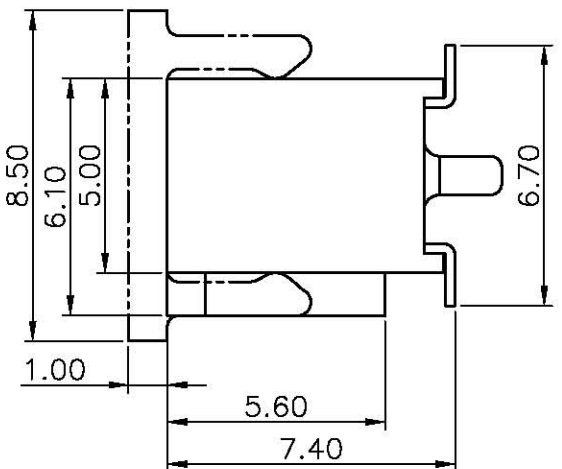
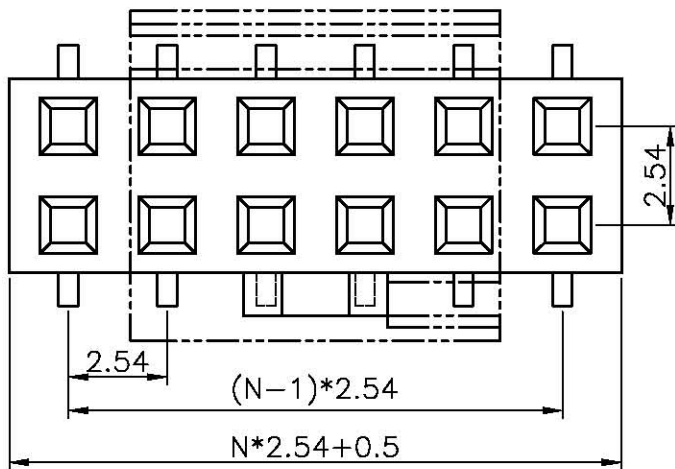
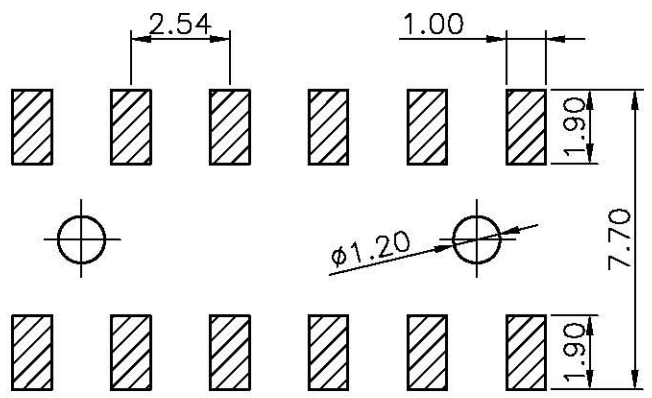
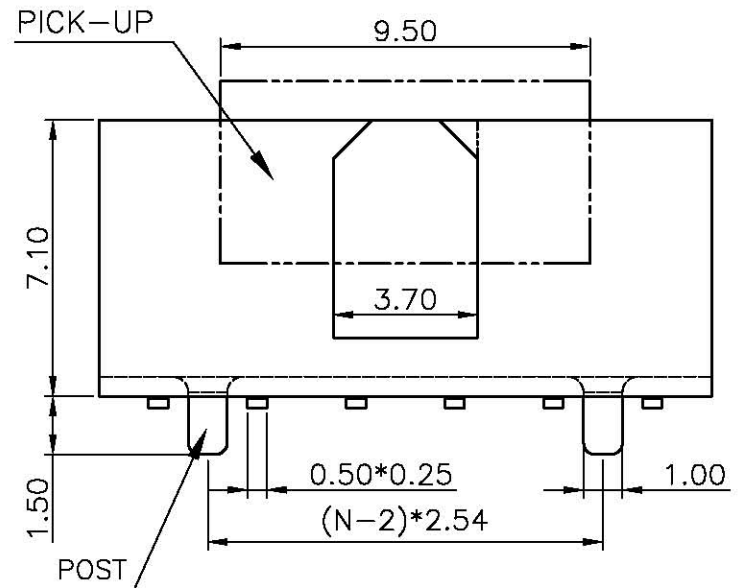


REV.	DESCRIPTION	DRAWN	CHECKED	APPROVED
A	NEW RELEASE	YCH 02/23/08'		



- NOTES:
- MATERIAL
    - INSULATOR MATERIAL:THERMOPLASTIC(UL 94V-0).
    - CONTACT MATERIAL:COPPER ALLOY.
  - SPECIFICATION
    - TEMPERATURE:-45' to +110°C.
    - DIELECTRIC WITHSTANDING VOLTAGE:AC 500V AC.
    - INSULATION RESISTANCE:1000MΩ min.
    - CURRENT RATING:3A.
  - PART NUMBER: DS1023-17
  - PRODUCT NUMBER CODE:  
 DS1023-17 - X X X X X X  
 POST SUPPORT  
 S:W/ POST  
 X:W/O POST  
 PACKING TYPE  
 T:TRAY  
 R:TAPE ON REEL  
 B:TUBE  
 PICK UP SUPPORT  
 S:W/ PICK UP  
 X:W/O PICK UP  
 CONTACT PLATING  
 8: FULL GOLD FLASH  
 0: Selective gold flash  
 HOUSING COLOR  
 B:BLACK  
 No.OF CONTACTS  
 2\*2-2\*40



RECOMMEND PCB LAYOUT  
(TOLERANCE=±0.05)

GENERAL TOLERANCE		ANGLE TOLERANCE		PROJECTION		TITLE	FEMALE HEADER PITCH 2.54mm
X.	±0.60	X.	±5°	UNITS	mm	SMT TYPE H=7.1mm W/ POLARIZATION	
.X	±0.38	.X	±3°	SHEET SIZE	A4	SERIES	DS1023-17 SERIES
.XX	±0.25	.XX	±2°				
DRAWING TYPE		CUSTOMER					
SCALE		1:1	SHEET	1 OF 1			
DRAWING NO.		C-DS1023-17-XXXX					