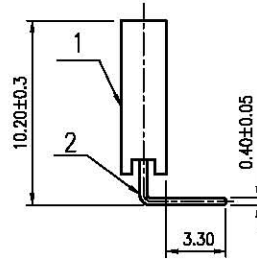
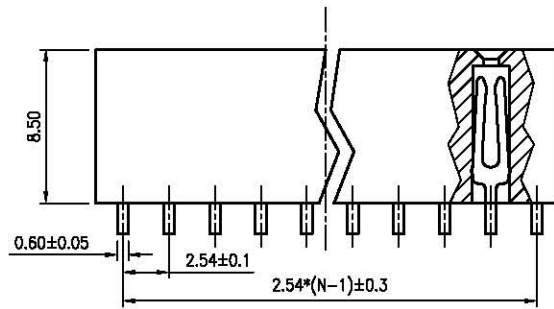
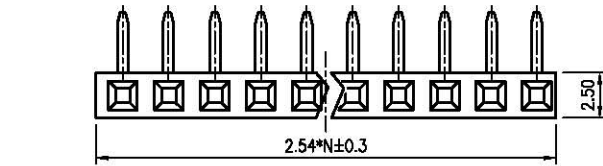
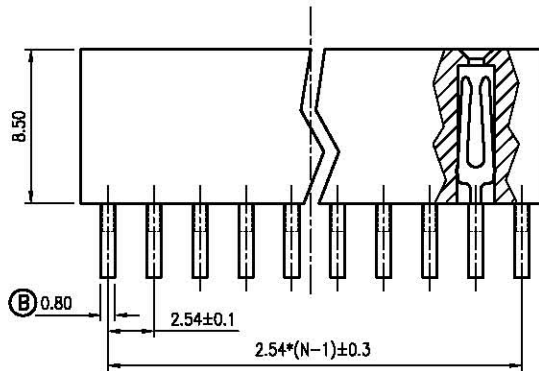
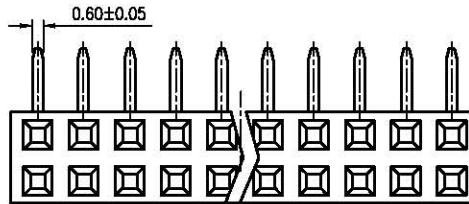


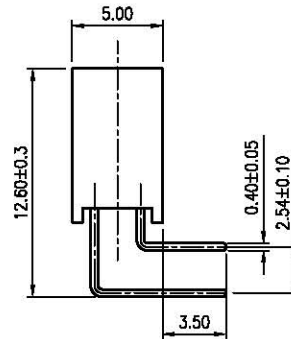
REV.	DESCRIPTION	DRAWN	CHECKED	APPROVED
A	NEW RELEASE	LJH 09/25/05'		LJC 09/25/05'
B	长端子非针尾宽度0.6更改为0.8	LL 11/29/06'		



SINGLE ROW
N:NUMBER OF CONTACTS



DUAL ROWS
N:NUMBER OF CONTACTS/2



NOTES:

- ELECTRICAL CHARACTERISTICS:
 - CONTACT RESISTANCE: 30mΩ Max. INITIAL.
 - DIELECTRIC WITHSTANDING VOLTAGE: 500V AC(rms) FOR 1 MINUTE.
 - INSULATION RESISTANCE: 1000MΩ Min.
- ENVIRONMENT CHARACTERISTICS:
 - OPERATING TEMPERATURE: 0°C~+85°C.
 - STORAGE TEMPERATURE: -20°C~+70°C.
- PRODUCT NUMBER CODE:

DS1024- X X X

- CONTACT PLATING
F1: FULL GOLD FLASH
0: SECLECTIVE GOLD FLASH
- MOUNTIING TYPE
R: R/A TYPE
- No.OF CONTACTS
1*1-1*40
2*2-2*40

GENERAL TOLERANCE		ANGLE TOLERANCE	
X.	±0.60	X.	±5'
.X	±0.38	.X	±3'
.XX	±0.25	.XX	±2'

PROJECTION		TITLE
UNITS	mm	FEMALE HEADER PITCH 2.54MM R/A TYPE
SHEET SIZE	A4	SERIES DS1024 SERIES

2	CONTACT		COPPER ALLOY	GOLD PLATED	DRAWING TYPE	CUSTOMER		
1	HOUSING		THERMOPLASTIC	UL 94 V-0	SCALE	1:1	SHEET	1 OF 1
ITEM	PART NAME	PART NO.	MATERILAS	FINISHED	DRAWING NO.	C-DS1024-XXXX		