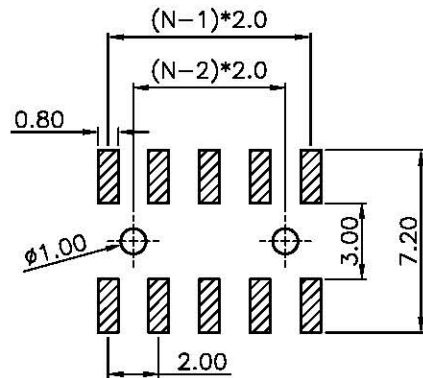
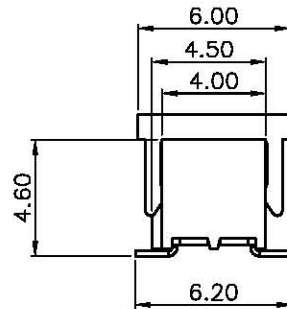
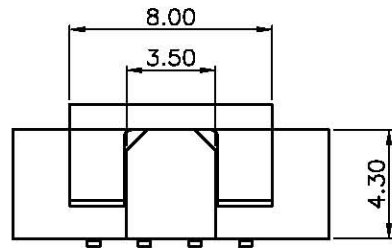
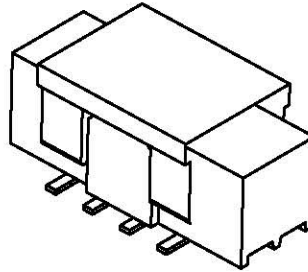
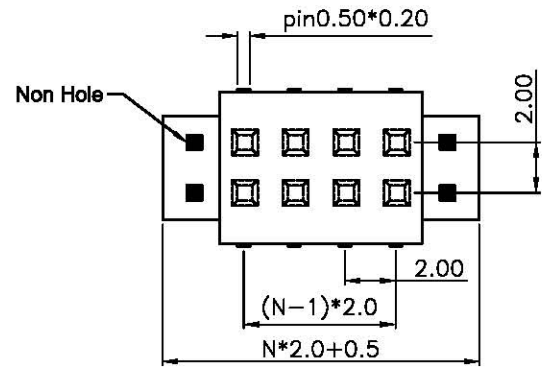


REV.	DESCRIPTION	DRAWN	CHECKED	APPROVED
A	NEW RELEASE	LJC 12/15/09'		

NOTES:

- MATERIALS:
 - INSULATOR: HIGH TEMPERATURE PA-46 W/ GLASS FIBER DSM MODLE TYPE TE250F6
 - CONTACT: PHOSPHOR BRONZE.PLATING FULL GOLD.
- ELECTRICAL CHARACTERISTICS:
 - CONTACT RESISTANCE: 20mΩ Max. INITIAL.
 - DIELECTRIC WITHSTANDING VOLTAGE: 500V AC(rms) FOR 1 MINUTE.
 - INSULATION RESISTANCE: 1000MΩ Min.
- ENVIRONMENT CHARACTERISTICS:
 - OPERATING TEMPERATURE: 0°C~+85°C.
 - STORAGE TEMPERATURE: -20°C~+70°C.
 - RESISTANCE TO SOLDERING HEAT: 260±5°C,5-10s.
- PRODUCT NUMBER CODE:
 DS1026-16 - X X X X X X
 POST SUPPORT
 S:W/ POST
 X:W/O POST
 PACKING TYPE
 T:TRAY
 R:TAPE ON REEL
 B:TUBE
 PICK UP SUPPORT
 S:W/ PICK UP
 X:W/O PICK UP
 POLOARIZATION SUPPORT
 S: W/ POLOARIZATION
 X: W/O POLOARIZATION
 CONTACT PLATING
 8: FULL GOLD FLASH
 HOUSING COLOR
 B:BLACK
 No.OF CONTACTS(W/ contacts)
 2*4-2*32



RECOMMEND PCB LAYOUT(TOLERANCE=±0.05)

GENERAL TOLERANCE		ANGLE TOLERANCE		PROJECTION	TITLE
X.	±0.60	X.	±5°	mm	2.0mm Female Header W/ Polarization Match To 2.0 Box Header SMT type
.X	±0.38	.X	±3°		
.XX	±0.25	.XX	±2°		
DRAWING TYPE		CUSTOMER			
SCALE		1:1	SHEET	1 OF 1	
DRAWING NO.		C-DS1026-16-XXXXXXX			