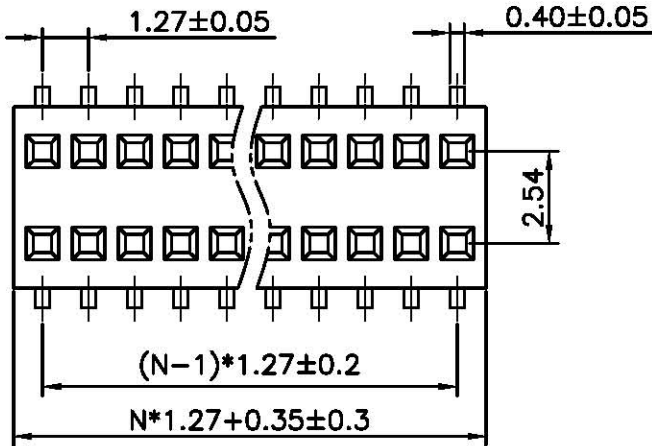
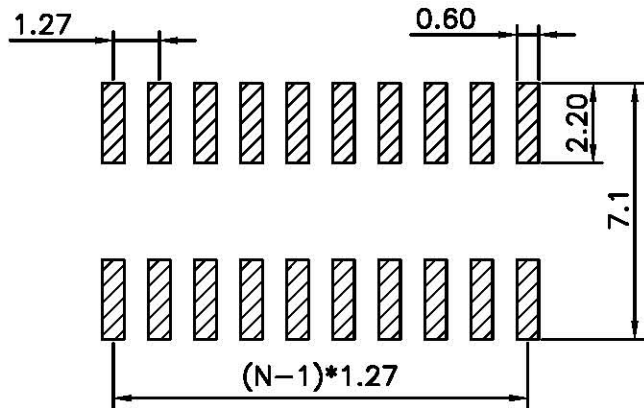
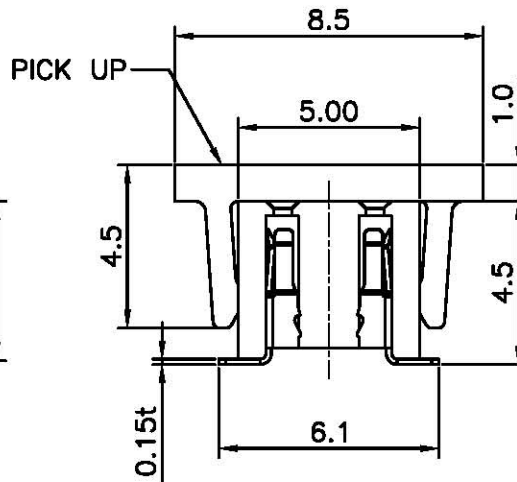
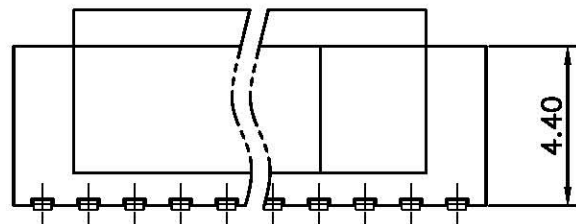


REV.	DESCRIPTION	DRAWN	CHECKED	APPROVED
A	NEW RELEASE	LJC 05/09/08'		



N=NO. OF CONTACTS/2



Recommend PCB Layout
Tolerance=±0.05

NOTES:

1. SPECIFICATIONS

- . Current Rating: 1A.
- . Insulation Resistance: 500MΩ Min.
- . Dielectric Withstanding: 300V AC.
- . Contact Resistance: 20mΩ Max.
- . Operating Temperature: -45°C to+110°C.

2.MATERIALS

- . Contact Material: Copper alloy
- . Insulator: High Temperature Materials(UL94V-0).

3.PART NUMBER: DS1065-10

4.PRODUCT NUMBER CODE:

DS1065-10 - X X X X X X

- PACKING TYPE
A: TUBE
R: TAPE ON REEL
T: TRAY
- PICK UP SUPPORT
S: W/ PICK UP
X: W/O PICK UP
- HOUSING COLOR
B:BLACK
- CONTACT PLATING
8: FULL GOLD FLASH
- MOUNTING TYPE
S:SMT TYPE
- No.OF CONTACTS
2*2-2*40

GENERAL TOLERANCE		ANGLE TOLERANCE		PROJECTION		TITLE	1.27*2.54mm Female Header
X.	±0.60	X.	±5°	UNITS	mm	SMT TYPE	
.X	±0.38	.X	±3°	SHEET SIZE	A4	SERIES	DS1065-10
.XX	±0.25	.XX	±2°				
DRAWING TYPE		CUSTOMER					
SCALE		1:1	SHEET	1 OF 1			
DRAWING NO.		C-DS1065-10-XXXXX					