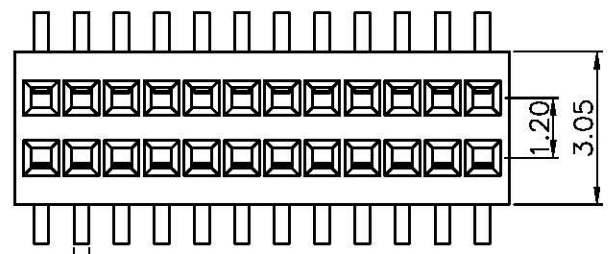
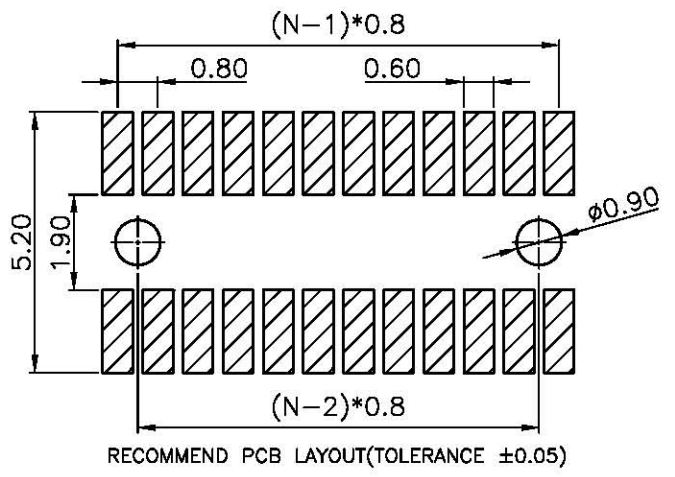
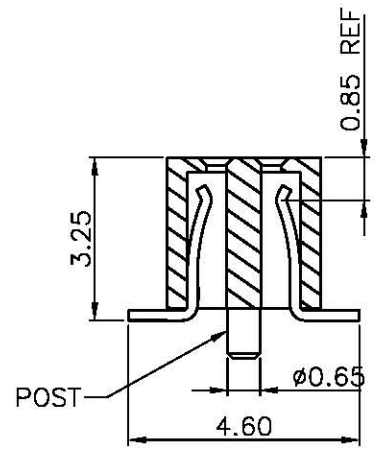
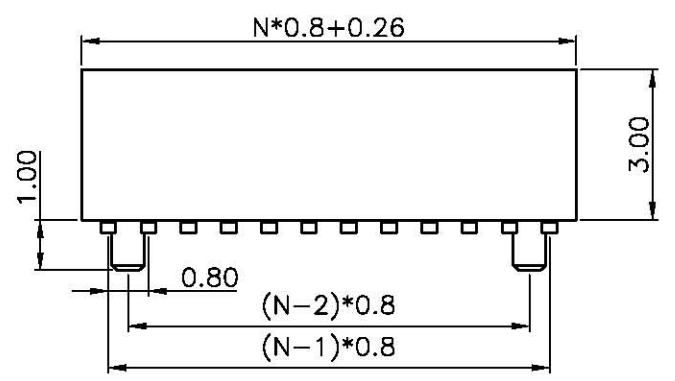


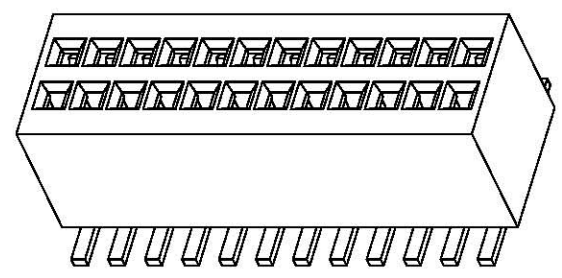
REV.	DESCRIPTION	DRAWN	CHECKED	APPROVED
A	NEW RELEASE	YCH 03/24/09	~	



Pin 0.20*0.30



RECOMMEND PCB LAYOUT(TOLERANCE ±0.05)



NOTES:

- SPECIFICATIONS
 - Current Rating: 0.5A
 - Insulation Resistance: 100MΩ Min
 - Dielectric Withstanding: 300V AC
 - Contact Resistance: 20mΩ Max
 - Operating Temperature: -45°C to +110°C
- MATERIALS:
 - Housing: High temperature, Nylon-46
 - Contact: Copper alloy
- PRODUCT NUMBER CODE:

DS1065-13 - X X X X X X

 - POST SUPPORT
 - S:W/ POST
 - X:W/O POST
 - PACKING TYPE
 - T:TRAY
 - R:TAPE ON REEL
 - B:TUBE
 - PICK UP SUPPORT
 - S:W/ PICK UP
 - X:W/O PICK UP
 - HOUSING COLOR
 - B:BLACK
 - CONTACT PLATING
 - 8: FULL GOLD FLASH
 - 6: FULL TIN
 - 0: SELECTIVE GOLD FLASH
 - No.OF CONTACTS
 - 2*2-2*40

GENERAL TOLERANCE		ANGLE TOLERANCE		PROJECTION	TITLE
X.	±0.60	X.	±5°	mm	0.8mm FEMALE HEADER
.X	±0.38	.X	±3°		SMT TYPE
.XX	±0.25	.XX	±2°		SHEET SIZE A4
DRAWING TYPE				CUSTOMER	SERIES DS1065-13
SCALE		1:1	SHEET	1 OF 1	
DRAWING NO.		C-DS1065-13-XXXXX			