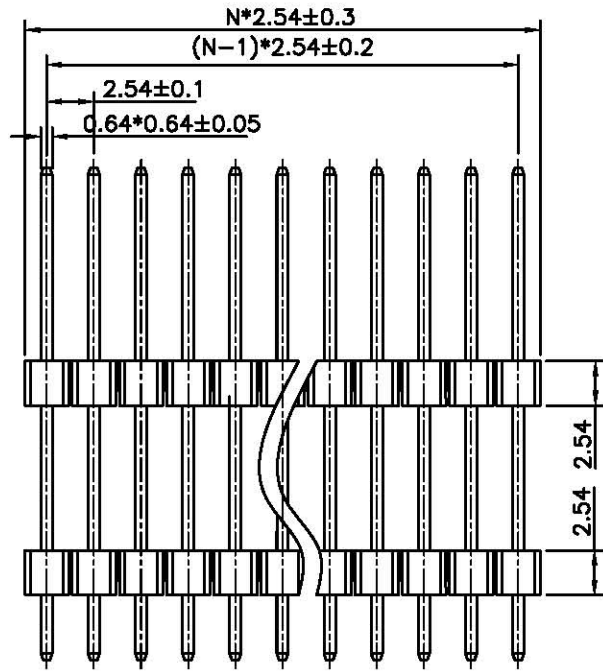


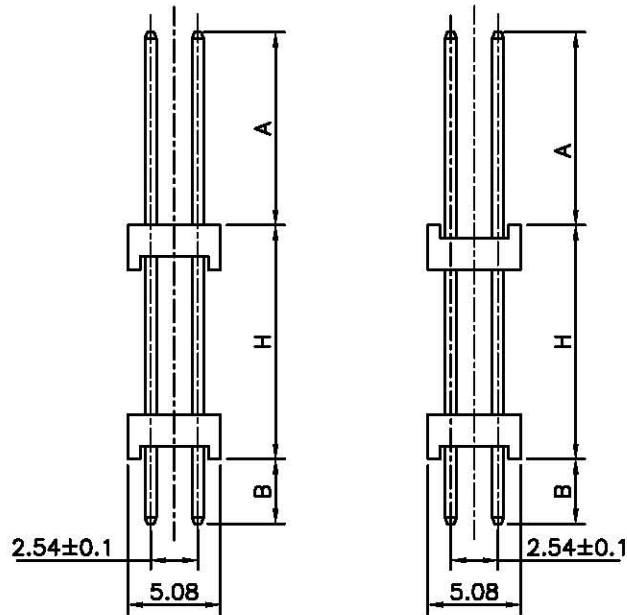
REV.	DESCRIPTION	DRAWN	CHECKED	APPROVED
A	NEW RELEASE	LJH 09/22/05'	~	LJH 09/22/05'
E	ADD DIM	LL 10/30/06'	~	LJC 10/30/06'
F	ADD DIM	YCH 04/23/08'	~	LJC 04/23/08'
G	增加V1与V2选择	YCH 03/25/09'	~	



N:NUMBER OF CONTACTS/2

V1 TYPE

V2 TYPE

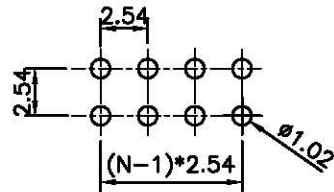


NOTES:

- ELECTRICAL CHARACTERISTICS:
  - CONTACT RESISTANCE: 50mΩ Max. INITIAL.
  - DIELECTRIC WITHSTANDING VOLTAGE: 500V AC(rms)FOR 1 MINUTE.
  - INSULATION RESISTANCE: 1000MΩ Min.
- ENVIRONMENT CHARACTERISTICS:
  - OPERATING TEMPERATURE: 0°C~+85°C.
  - STORAGE TEMPERATURE: -20°C~+70°C.
- PART NUMBER: DS1029-04
- PRODUCT NUMBER CODE:

DS1029-04 - X X X X X X X

- DIM.A B H TYPE
- 1: TYPE 1
- 2: TYPE 2
- 48: TYPE 48
- 
- BEND TYPE
- A: V1 TYPE
- B: V2 TYPE
- MOUNTING TYPE
- V:VERTICAL TYPE
- HOUSING COLOR
- B:BLACK
- CONNECTOR PLATING
- S: FULL GOLD FLASH
- CONNECT TYPE
- P:PLUG
- No.OF CONTACTS
- 2\*1-2\*40



RECOMMEND PCB LAYOUT  
(TOLERANCE=±0.05)

GENERAL TOLERANCE		ANGLE TOLERANCE		PROJECTION		TITLE	BOARD SPACERS PIN HEADER
X.	±0.60	X.	±5'	UNITS	mm		PITCH 2.54mm TYPE
.X	±0.38	.X	±3'	SHEET SIZE	A4	SERIES	DS1029-04 SERIES
.XX	±0.25	.XX	±2'				
DRAWING TYPE		CUSTOMER					
SCALE	1:1	SHEET	1 OF 2				
DRAWING NO.	C-DS1029-04-XXXXXXX						